

Shield of Unity

This is an activity for the three Youth Orders to participate in together.

In the Lodge room it can be done between the East and the Altar or between the altar and the west.

1. The Job's Daughters will form the Cross on the shield
2. The DeMolay will form the lower part of the Shield
3. The Rainbow Girls will form the top of the shield

The Announcer will introduce each Youth Order as they come into the room

1. First the Job's Daughters dressed in their Bethel robes, will come in either from the west on the south side of the room or from the west on the north side of the room.
2. They will then form the cross kneel and do their closing prayer, and remain kneeling

Note: the number of young ladies will depend on the space and how large the cross can be made.

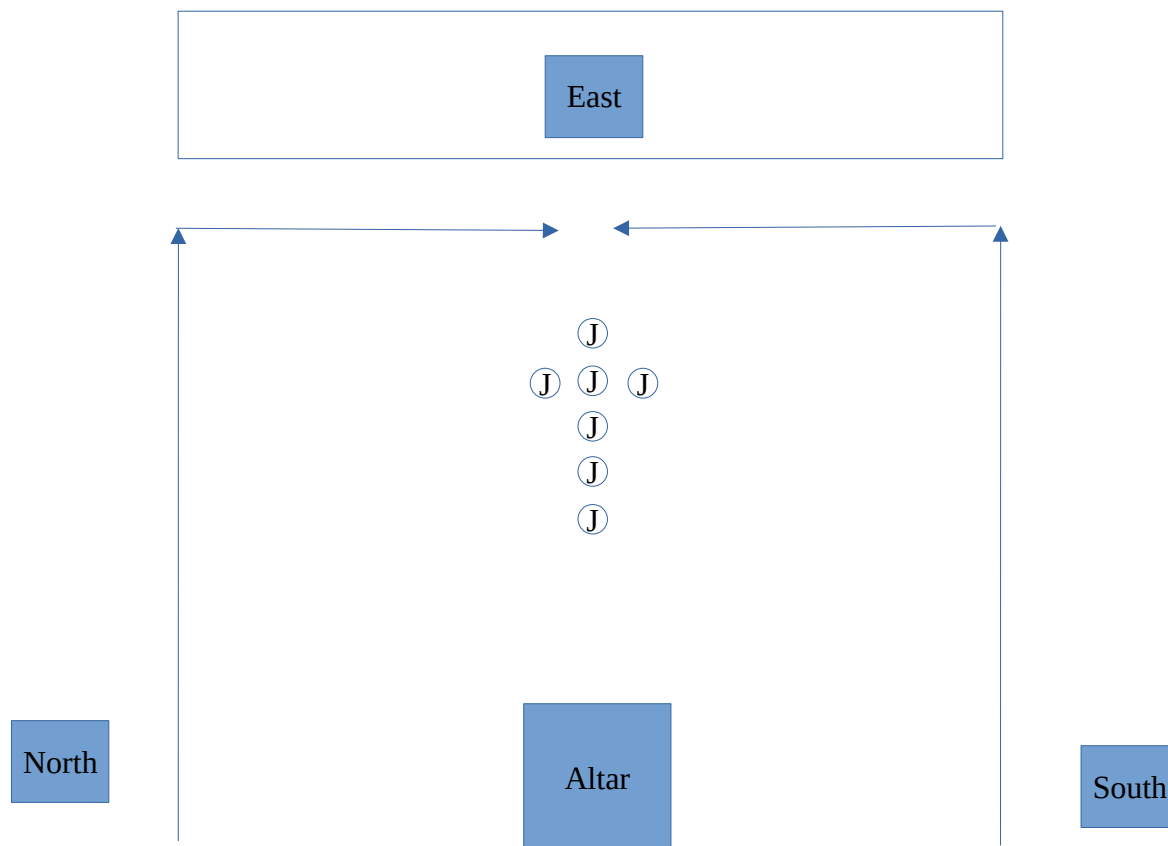


Figure 1.

Shield of Unity

3. The DeMolay wearing their capes, will come in on the opposite side of how the Job's Daughters entered the room(if possible, otherwise come in on the same side)
4. DeMolay will then form the bottom of the shield
5. The Chaplain will go to the altar, kneel and do the 9th hour interpolation
6. The Chaplain will then return to his place in the bottom of the shield

Note: The sides of the shield will be spaced evenly

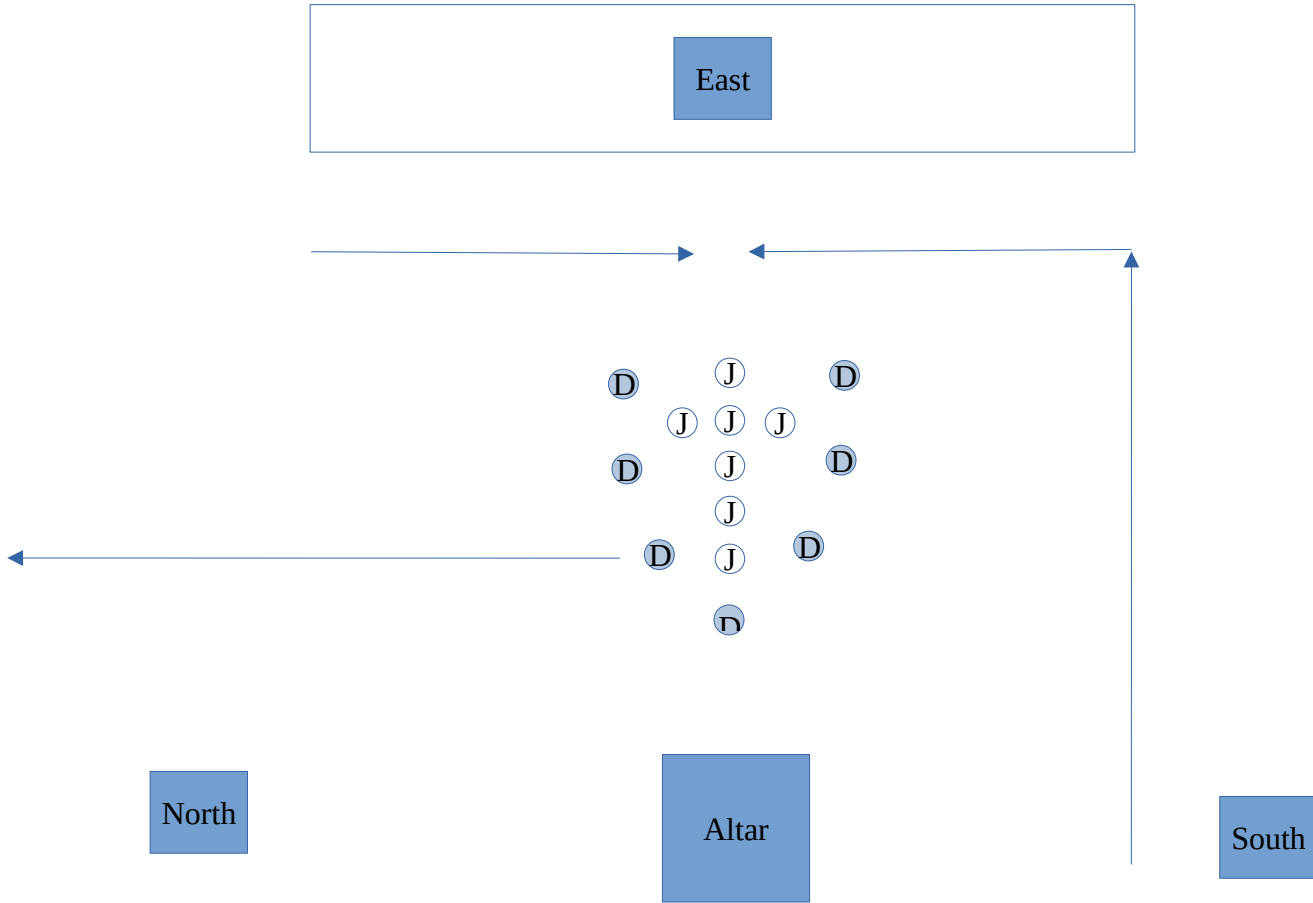


Figure 2.

Shield of Unity

7. The Rainbow Girls wearing their Dresses, will come in on the same side as the Job's Daughters Job's Daughters entered the room(if possible, otherwise come in on the same side)
8. The Rainbow Girls will then form the Top of the shield
9. The Rainbow Girls will then sing Rainbow Dreams

Note: The Top of the shield be a small arch of the young ladies. If more than enough girls are present then they will form 2 rows

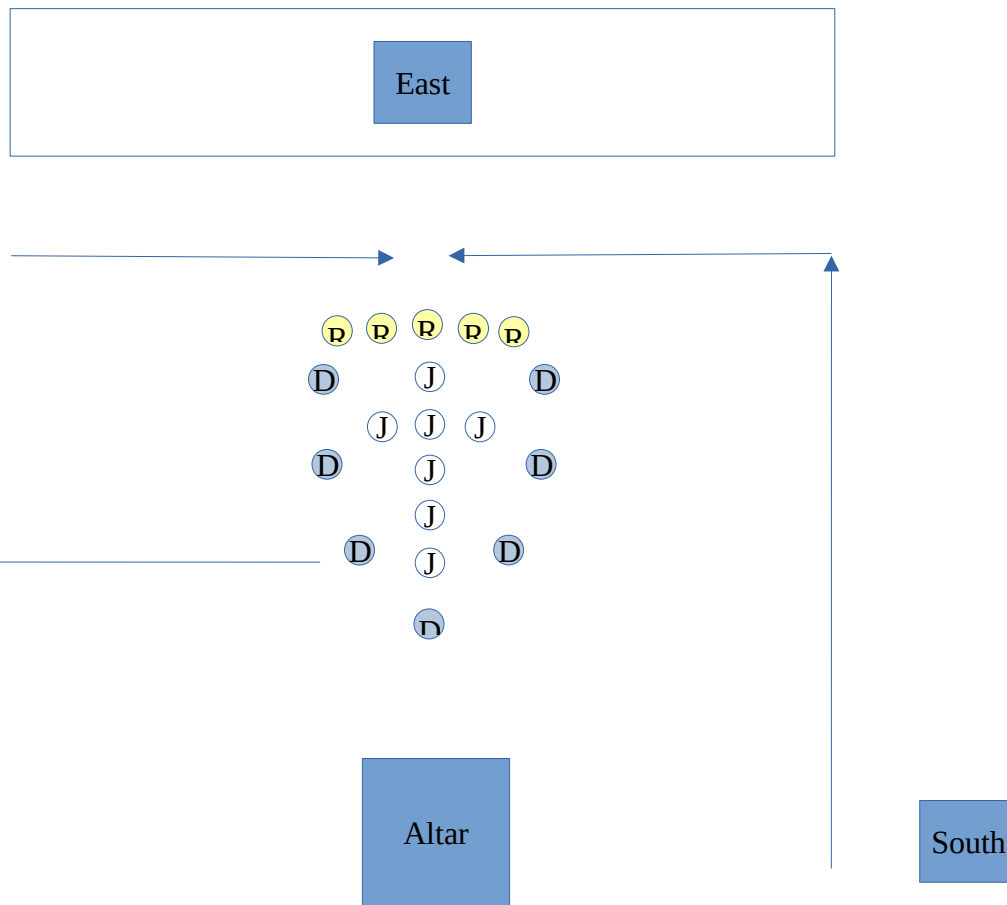


Figure 3.

The Announcer will then said “I present to you the Shield of Unity.”

The Job's Daughters and DeMolay will then stand and will exit the room in reverse order or in the order that makes sense.